



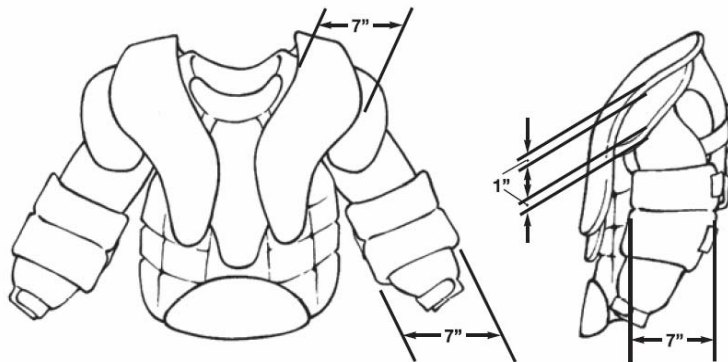
2009-10 GOALKEEPER EQUIPMENT MEASUREMENT STANDARDS

Starting with the 2009-10 season, all goalkeepers participating in USA Hockey sanctioned events are expected to adhere to the following goalkeeper equipment standards. The following information describes the process for measuring the equipment in order to supplement the diagrams that are found on pages 54-55 of the USA Hockey Officials Rules and Casebook.

GOALKEEPER CHEST AND ARM PADS

- 1.) No raised ridges are allowed on the front edges or sides of the chest pad, the inside or outside of the arms, or across the shoulders.
- 2.) Layering at the elbow is permitted to add protection but not to add stopping area. This layering, both across the front and down the sides to protect the point of the elbow shall not exceed **7 inches**.
- 3.) Shoulder Cap Protectors must follow the contour of the shoulder cap without becoming a projection/extension beyond or above the shoulder or shoulder cap. This contoured padding must not be more than **1 inch** in thickness beyond the top ridge of the shoulder and shoulder cap.
- 4.) On each side, the Shoulder Clavicle Protectors are not to exceed **7 inches** in width. Their maximum thickness is to be **1 inch**. This protection is not to extend or project above or beyond the shoulder or shoulder cap nor extend beyond the armpit. No insert is allowed between the Shoulder Clavicle Protector and the chest pad that would elevate the Shoulder Clavicle Protector.
- 5.) If when the goalkeeper assumes the normal crouch position, the shoulder and/or shoulder cap protection is pushed above the contour of the shoulder, the chest pad will be considered illegal.

Chest/Shoulder Protection Width/Thickness Front and Side Views



GOALKEEPER PANTS

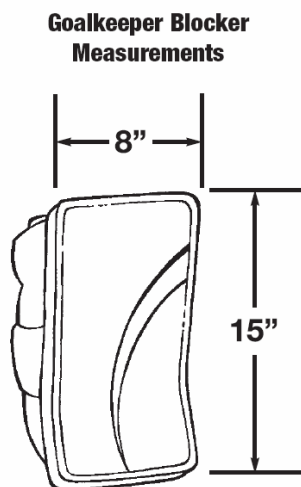
- 1.) No internal or external padding is allowed on the pant leg or waist beyond that to provide protection (no outside or inside ridges).
- 2.) If the goalkeeper is wearing his goalkeeper pant shell really loose, which allows him to close the five-hole (the open space between his legs above his pads) when he is in the crouch or ready position, the wearing of the pant shells in this fashion will be considered illegal and the above-mentioned documents will apply.
- 3.) All thigh pads must follow the contour of the leg. Square thigh pads are considered illegal.
- 4.) All knee protection must be strapped and fit under the thigh pad of the pant leg and not exceed **10 inches** allowed for the width of the thigh pad.

GOALKEEPER SKATES

Any blades, projections or 'cheaters' added to the skate boot in order to give the goalkeeper additional contact to the ice surface are deemed as performance enhancing, and are prohibited.

GOALKEEPER BLOCKER GLOVE

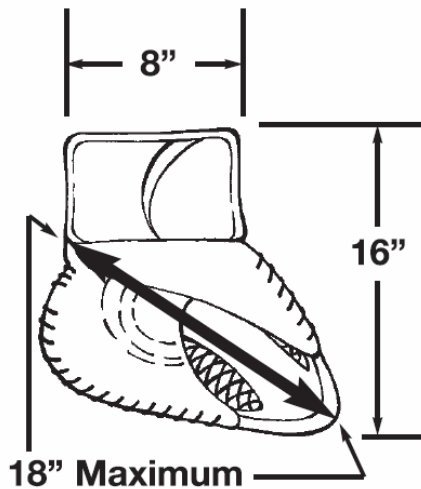
- 1.) The maximum outside dimensions of the protective padding attached to the back and forming part of the goalkeeper's blocker glove shall not exceed **8 inches** in width and **15 inches** in length at any point including the bindings.
- 2.) Raised ridges are not to be added to any portion of the blocking glove.



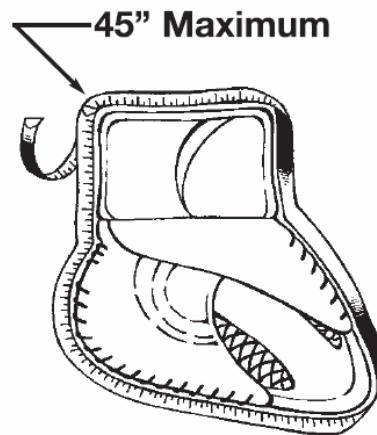
GOALKEEPER CATCHING GLOVE

- 1.) A maximum perimeter of **45 inches** is permitted. The perimeter of the glove is the distance around the circumference of the glove. Please refer to the catching glove measurement procedures outlined below. *To determine the perimeter, the distance around the glove, the tape is to be placed on the outside edge of the glove with the midway line of the tape following the top ridge of the edge/binding.*
- 2.) The wrist cuff shall not exceed **8 inches** in maximum length in any part of the wrist cuff (this includes the bindings). The cuff of the glove is considered to be the portion of the glove protecting the wrist from the point where the thumb joint meets the wrist. Any protection joining/enhancing the cuff to the glove will be considered part of the glove rather than the cuff.
- 3.) The length of the glove shall not exceed **16 inches** when measured in a straight line from the edge of the cuff to the farthest point of the "T" Trap.
- 4.) The distance from the heel of the glove along the pocket and following the contour of the glove to the top of the 'T' trap must not exceed **18 inches**. The heel is considered to be the point at which the straight vertical line of the cuff meets the glove. *To determine the "T" trap distance, the tape is to be placed from the heel of the glove along the pocket and following the contour of the glove to the top of the "T" Trap.*

Goalkeeper Cuff and T-Trap Measurements



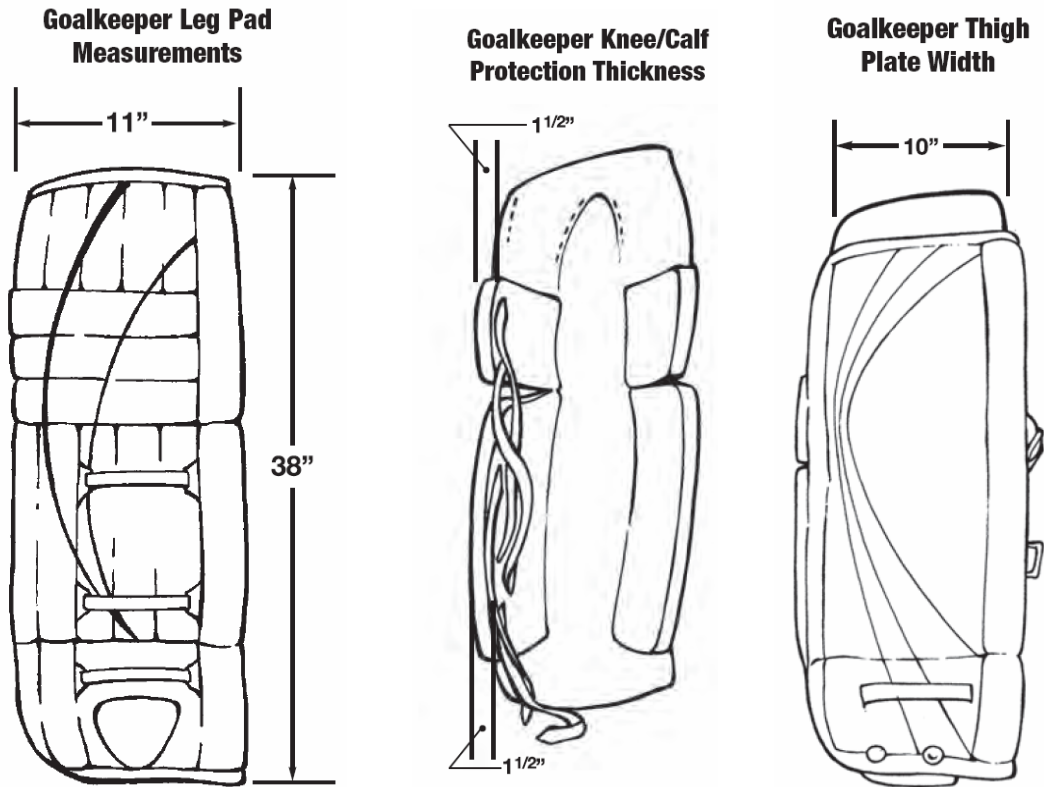
Goalkeeper Catching Glove Circumference



GOALKEEPER LEG PADS

1.) The goalkeeper's leg pads shall not exceed **11 inches** wide when measured on the leg of the goalkeeper. *The measurement should be taken at three different points along the pad: One measurement roughly 3 inches from the top of the pad. The second measurement at the mid way point of the pad and the third measurement at the bottom of the pad just above the boot. Ideally, a caliper 11 inches in width should be used, but a tape measure can also be used to measure the width. When using a tape measure, one can account for a slight expansion of the pad from normal wear and tear that allows for a slight exceeding of the 11 inches maximum (1/4 inch maximum)*

2.) The length of the goalkeeper's leg pads should be limited to a maximum of **38 inches** from bottom mid-point to top mid-point of the pad. *The length of the goalkeeper's leg pad can be measured from the mid-point of the bottom of the pad along the contour of the pad to the mid-point of the top of the pad.*



Goalkeeper Knee Protection

1.) All knee protection must follow the contour of the leg **OR** be worn under the thigh guard of the pant. All flaps that are attached to the inside of the goal pad above the knee that are not worn under the pant thigh pad will not be permitted. *This is commonly known as the thigh board or "pizza" plate.*

2.) The knee strap pad is the pad that separates the inside of the knee from the ice. The knee protection must be worn with the strap tight and must not cover any portion of the 'Five-hole'. This pad shall not exceed **1½ inches** in thickness and must be attached to the inner raiser.

3.) Calf protection must follow the contour of the calf and ankle and can have a thickness of no greater than **1½ inches**. No raised ridges will be permitted on the calf protector that would be deemed to act as deflectors of pucks.

The intent of this rule is to prevent the knee/calf protection from adding additional blocking area by covering any portion of the "Five-Hole" while the goalkeeper is in the upright (knee strap pads) or butterfly (thigh boards) positions.